



YESIR

end-to-end HVAC&R Solution Partner





YESIR

end-to-end HVAC&R Solution Partner

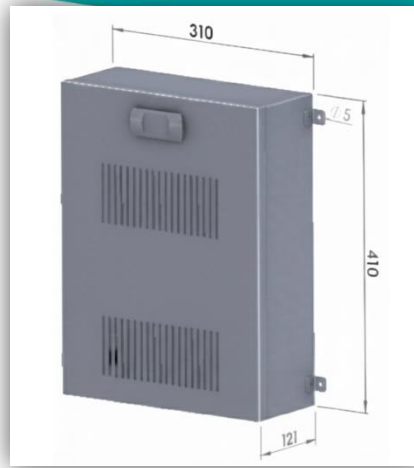
CABIN HEATER





YESIR

end-to-end HVAC&R Solution Partner



NO	TYPE	HEATING CAPACITY	DIMENSION			
			A	B	H(height)	D
1	CH 500	500 Watt	310 mm	121 mm	410 mm	Ø 5 mm
2	CH 1000	1000 Watt	322 mm	322 mm	295 mm	Ø 5 mm
3	CH 2000	2000 Watt	322 mm	322 mm	295 mm	Ø 5 mm

Unit heaters are used in cabins and wet areas. The heating capacity ranges from 500 W to 2000 W. A digital control unit is mounted on the front to adjust the room temperature. A radial fan is used for air distribution. Stainless steel heating elements heat the air according to the room's heating demand. The standard casing material is galvanized steel; stainless steel is available as an option. The power supply is 230 V, 2-phase, 50/60 Hz.

Please contact us for more details. rfq@yesir.com.tr